

### 3-valve Manifold Type 11

For DiP1Ch 100 – 3 / DiP1ChG 100 – 3  
DiP1Ch 160 – 3 / DiP1ChG 160 – 3  
(see data sheet 5200)

Max. DN 5, max. PN 420, max. temperature +250 °C (+482 °F)

This 3-valve manifold is flange-mounted to a differential pressure measuring instrument (transmitter). The “+” and “-” connections can be shut off. The centre valve is the equaliser valve.

- instrument connection flangeable according to DIN EN 61518
- back seated valve spindle with cold-rolled surface
- internal spindle thread
- replaceable valve seat
- crimped valve cone

#### Body

Drop forged component, stainless steel 316Ti (1.4571)

**Bonnet** stainless steel 316Ti (1.4571)  
**Valve seat** stainless steel 316Ti (1.4571)  
**Valve cone** stainless steel 316Ti (1.4571)  
**Valve spindle** stainless steel 316Ti (1.4571)  
**Packing** PTFE up to +200 °C (+392 °F)  
**Union nut** stainless steel 316Ti (1.4571)

#### Connections

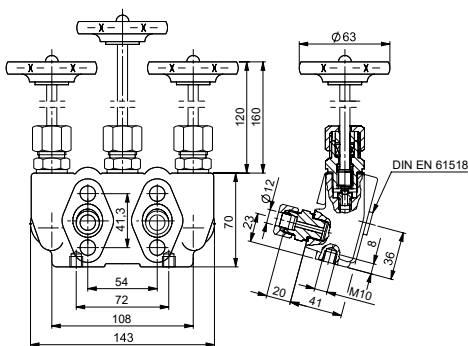
**Input** cutting ring fitting stainless steel 316Ti (1.4571)  
for tube Ø 12 mm (0.47")  
**Output** flange DIN EN 61518

#### 3 Hand Wheels

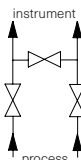
Made of heat-resistant plastic

#### Special Versions

- with mounting assembly consisting of:
  - 4 screws made of steel or stainless steel<sup>1)</sup>
  - 7/16 – 20 UNF x 2 1/8"
  - 4 washers made of steel or stainless steel<sup>1)</sup>
  - 2 packings made of PTFE
- free of grease and oil for oxygen service, max. temperature +60 °C (+140 °F) and max. PN 250
- temperature-resistant up to +250 °C (+482 °F)
- 1 socket wrench with T-handle made of steel



#### Wiring Diagram



<sup>1)</sup> Only the stainless steel version is suitable for O<sub>2</sub>!

### 5-valve Manifold Type 12

For DiP1Ch 100 – 3 / DiP1ChG 100 – 3  
DiP1Ch 160 – 3 / DiP1ChG 160 – 3  
(see data sheet 5200)

Max. DN 5, max. PN 420, max. temperature +250 °C (+482 °F)

This valve manifold is only used for adjusting the zero point of a differential pressure gauge. It is manufactured in a compact form and the connections and fitting dimensions can be adapted to the differential pressure gauge.

- instrument connection flangeable according to DIN EN 61518
- back seated valve spindle with cold-rolled surface
- internal spindle thread
- replaceable valve seat
- crimped valve cone

#### Body

Drop forged component, stainless steel 316Ti (1.4571)

**Bonnet** stainless steel 316Ti (1.4571)  
**Valve seat** stainless steel 316Ti (1.4571)  
**Valve cone** stainless steel 316Ti (1.4571)  
**Valve spindle** stainless steel 316Ti (1.4571)  
**Packing** PTFE up to +200 °C (+392 °F)  
**Union nut** stainless steel 316Ti (1.4571)

#### Connections

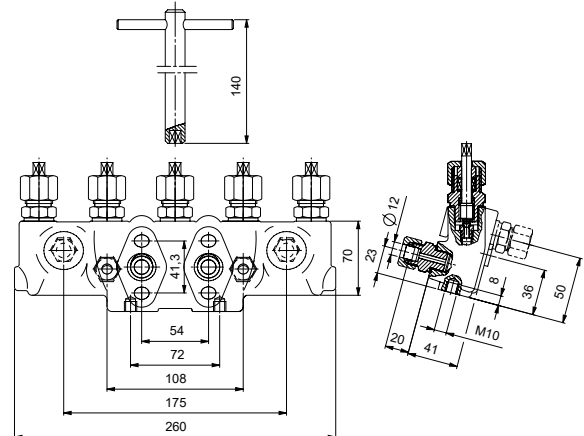
**Input/blow-out** cutting ring fittings stainless steel 316Ti (1.4571)  
for tube Ø 12 mm (0.47")  
**Output** flange DIN EN 61518

#### 1 Socket Wrench

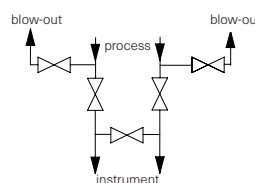
With T-handle made of black-oxide finished steel

#### Special Versions

- with mounting assembly consisting of:
  - 4 screws made of steel or stainless steel<sup>1)</sup>
  - 7/16 – 20 UNF x 2 1/8"
  - 4 washers made of steel or stainless steel<sup>1)</sup>
  - 2 packings made of PTFE
- free of grease and oil for oxygen service, max. temperature +60 °C (+140 °F) and max. PN 250
- temperature-resistant up to +250 °C (+482 °F)



#### Wiring Diagram



# Pressure Compensation Valves

## for differential pressure gauges

### 3-valve Manifold Type 13

For DiP2Ch 100 – 3 / DiP2ChG 100 – 3  
DiP2Ch 160 – 3 / DiP2ChG 160 – 3  
(see data sheet 5210)

Max. DN 3, max. PN 40, max. temperature +70 °C (+158 °F)

Fitting for connecting and commissioning differential pressure gauges

Valve I connection of + and – chamber  
(pressure equalisation)  
Valves II 1 shut-off valve  
for the + and – differential pressure line

All valves are closed upon delivery.

### Body

Stainless steel 316L (1.4404)

### Hand Wheels

Stainless steel 316L (sealable and removable)

### O-rings

FKM

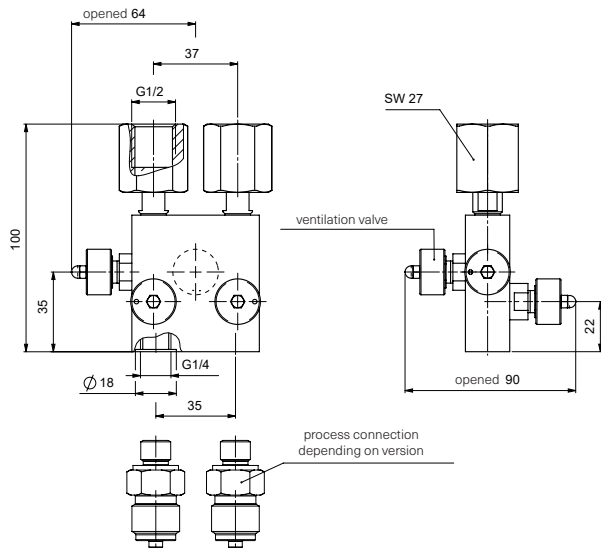
### Connections

Device connection union nut G ½  
made of stainless steel 316L (1.4404)

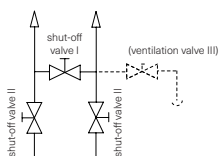
Process connection various versions  
e.g. G ½ B, G ¼ B  
made of stainless steel 316L (1.4404)  
or G ½, G ¼  
made of stainless steel 316L (1.4404)  
others upon request

### Special Version

4-valve manifold type 14 upon request, the valve manifold is equipped with an additional ventilation valve



### Wiring Diagram



### Ordering Information

Please specify the type and, if necessary, required special versions in your order.

Example 5-valve manifold type 12,  
temperature-resistant up to +250 °C (+482 °F)