

## Contents

1. Information on This Operating Instruction	1
1.1 Pictographs Used	2
1.2 Exclusion of Liability	2
2. Safety Instructions	2
3. Device Description	3
3.1 Intended Use	4
4. Technical Data	4
5. Preparation, Functions and Measuring Process	5
6. Maintenance / Cleaning, Storage and Transport	7
7. Dismounting and Disposal	8
8. CE Conformity	8
9. Declaration of Conformity	10

## 1. Information on This Operating Instruction

- The manual is aimed at specialists and semi-skilled personnel.
- Please read the instructions carefully before carrying out any operation and keep the specified order.
- Thoroughly read and understand the information in chapter 2 "Safety Instructions".

If you have any problems or questions, please contact your supplier or contact us directly at:

**ARMANO**

### **ARMANO Messtechnik GmbH**

#### **Location Beierfeld**

Am Gewerbepark 9 • 08344 Grünhain-Beierfeld  
Tel.: +49 3774 58 – 0 • Fax: +49 3774 58 – 545  
mail@armano-beierfeld.com

#### **Location Wesel**

Manometerstraße 5 • 46487 Wesel-Ginderich  
Tel.: +49 2803 9130 – 0 • Fax: +49 2803 1035  
mail@armano-wesel.com

### 1.1 Pictographs Used

In this manual, pictographs are used as hazard warnings.

Particular information, instructions and restrictions designed for the prevention of personal or substantial property damage:



**WARNING!** Is used to warn you against an imminent danger that may result in personal injury or death.

**IMPORTANT!** Is used to warn you against a possibly hazardous situation that may result in personal, property or environmental damage.

**CAUTION!** Is used to draw your attention to important recommendations to be observed. Disregarding them may result in property damage.



**DANGER!** This symbol is used for hazards generated by electric current. Disregarding these safety instructions may result in serious or fatal injuries.



Passages in the text containing **explanations, information or advice** are highlighted with this pictograph.



The following symbol highlights **actions** you have to conduct or **instructions** that have to be strictly observed.

### 1.2 Exclusion of Liability

We accept no liability for any damage or malfunction resulting from incorrect installation, inappropriate use of the device or failure to follow the instructions in this manual.

## 2. Safety Instructions

Please read this operating instruction thoroughly before operating the dead weight tester.

Disregarding the containing warnings, especially the safety instructions, may result in danger for people, the environment, and the device and the system it is connected to.

The dead weight tester corresponds with the state of engineering at the time of printing. This concerns the accuracy, the operating mode and the safe operation of the device.

In order to guarantee that the device operates safely, the operator must act competently and be conscious of safety issues.

The ARMANO Messtechnik GmbH provides support for the use of its products either personally or via relevant literature. The customer verifies that our product is fit for purpose based on our technical information. The customer performs customer and application specific tests to ensure that the product is suitable for the intended use. With this verification, all hazards and risks are transferred to our customers. Our warranty expires in case of inappropriate use.

#### **Qualified personnel:**

The personnel that is charged for the installation, operation and maintenance of the dead weight tester must hold a relevant qualification. This can be based on training or relevant tuition. The personnel must be aware of this manual and have access to it at all times.

#### **General safety instructions:**

- In all work, the existing national regulations for accident prevention and safety at the workplace must be complied with. Any internal regulations of the operator must also be complied with, even if these are not mentioned in this manual.
- Use the dead weight tester in its perfect technical condition only. Damaged or defective instruments need to be checked immediately and replaced if necessary.
- Only use appropriate tools for mounting, connecting and dismantling the dead weight tester.
- Nameplates or other information on the device shall neither be removed nor obliterated, since otherwise any warranty and manufacturer responsibility expires.

# Operating Instructions

## Dead Weight Tester PD 6



### Special safety instructions:

Warnings, which are specifically relevant to individual operating procedures or activities, are to be found at the beginning of the relevant sections of this operating instruction.

### 3. Device Description

Dead weight testers are high-precision mechanical measuring instruments that are suitable for testing, adjusting and calibrating pressure measuring instruments without using an external reference device.

The main components are measuring system, valve units, spindle unit for fine adjustment of the pressure and set of weights.

The measuring system consists of a fine lapped piston / cylinder pair. The weight-loaded piston is pressed down by the local gravitation of the weights. From below the test pressure, which is generated and adjusted by the spindle pump, acts towards the piston surface area. This test pressure is increased until the pneumatic force of the medium on the piston surface area (acting from below) compensates the weight force of the piston / weight system and the equilibrium of forces is reached. During this state of equilibrium, the piston floats freely in the cylinder.

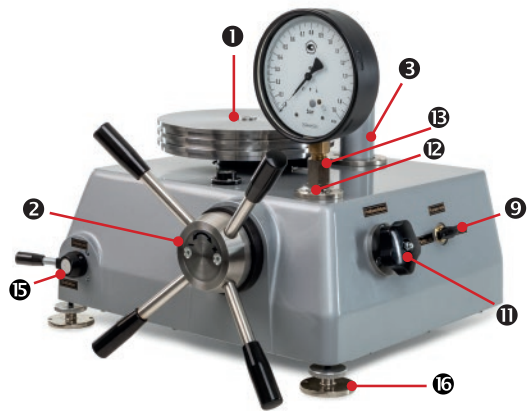
In order to simplify the handling, the weights are already standardised to the specific determined piston surface area and the local gravitation at the installation site. The set of weights is available discreetly graduated in different pressure units (bar, Pa, psi).

Piston and weights are kept rotating with a motor while floating in order to minimise the influence of static friction of piston and cylinder and therefore to guarantee a sensitive discrimination threshold.

The dead weight tester described herein operates in a range from 0.05 to 6 bar.

### Components:

- 1 Measuring system
- 2 Spindle pump with star handle
- 3 Oil reservoir
- 9 Change-over valve spindle pump ("Pump on / Pumpe ein", "Pump off / Pumpe aus", "Vent / Entlüften")
- 11 Stop valve "Test connection / Prüfanschluss"
- 12 Test connection
- 13 Clamping sleeve (AF 27)
- 15 Change-over valve for external admission pressure ("Admission pressure / Vordruck", "Closed / Zu", "Vent / Entlüften")
- 16 Adjustable feet



### Nameplate and label:

The nameplate is placed on the back of the dead weight tester. It contains the most important technical data and information.

### Scope of delivery:

The delivery includes – in addition to the dead weight tester and the set of weights in a transport case:

- 1 operating instruction
- 1 l special oil (lubricant and sealing liquid)
- 1 protective cover
- 1 special gasket for test item, with 2 encased O-rings
- 4 O-rings as spare parts
- 2 adapters for N 6x1 (admission pressure connection)
- 2 plugs for oil drains (mounted)
- 1 mains cable

# Operating Instructions

## Dead Weight Tester PD 6

### 3.1 Intended Use

The dead weight tester shall only be used for testing, adjusting and calibrating pressure measuring equipment. Do not use the dead weight tester beyond its specification or contrary to the operating instructions.

The operational safety of the device supplied is only guaranteed by intended use. The specified limit values (⇒ chapter 4 "Technical Data") must not be exceeded. This particularly applies for the adherence to the permissible full scale value and the permissible temperature range.

When using the dead weight testers, a high degree of care and precaution is required. It has to be protected from strong vibrations, moisture, shocks, magnetic fields and static electricity.



#### **IMPORTANT! Risk of injury or material damage due to overpressure!**

Exceeding the maximum overload values may lead to material failure of the dead weight tester. This may also cause serious damage to health.

→ Ensure that the overload values are never exceeded.

Please check if the dead weight tester is suitable for your application before ordering and installation.

### 4. Technical Data

Set of weights	in bar / kPa
Basic load	0.05 bar
Main measuring range	0.6 – 6 bar
Required admission pressure air	6 bar
Reference condition for the guaranteed accuracy	ambient temperature +20 °C ±2 °C (+68 °F ±3.6 °F)
Accuracy (factory calibration)	±0.05 % of the measured value <sup>1)</sup>
Medium	air
Sealing liquid / lubricant	special oil
Nominal piston cross-section	2 cm <sup>2</sup>
Rotation of the weights	by electric drive (230 – 240 V AC / 50 Hz / 3 W)
Fuse / microfuse	Ø 5 x 20 mm (0.2 x 0.79"), 0.1 A, 250 V, slow
Standard connection	male G ½ LH with clamping sleeve on G ½ right or M 20x1.5 right, incl. double sealing
Connection for external compressed air	plug connection (Prestolock) for PA hose N 4x1, with adapter for N 6x1
Case	aluminum case, grey enamelled (self-supporting cover), 3 adjustable feet for precise horizontal alignment according to integrated circular level
Case dimensions incl. star handle (L x W x H)	490 x 480 x 330 mm (19.29 x 18.9 x 12.99")

#### Approx. weights

Dead weight tester	28 kg (61.73 lb)
Set of weights	7 kg (15.43 lb)
Device packaging	21 kg (46.3 lb)
Transport case set of weights	9.2 kg (20.28 lb)

<sup>1)</sup> in the main measuring range, the accuracy refers to the measured value; in the secondary measuring range, it refers to 0.6 bar

# Operating Instructions

## Dead Weight Tester PD 6

### 5. Preparation, Functions and Measuring Process

If the dead weight tester is not operated under typical laboratory conditions, the installation site should most widely meet the following criteria:

- Kept at constant temperature, without draughts and heat or cold sources
- Dust-free and dry, free from corrosive liquids or vapours
- Vibration-free and low-noise

The work station should be a solid plain table or workbench. Attention should be paid to sufficient free space for operating the dead weight tester.

Transporting the dead weight tester from a cold to a warm environment, condensation may result in an impairment of the device function. Thus, make sure that the device temperature has adjusted to the ambient temperature before commissioning.



#### IMPORTANT!

When transporting or repositioning, carry the dead weight tester at the case only, never at the measuring system. Otherwise, this may cause serious damage.

Do not tilt the device since the oil reservoir ③ is filled. If oil leaked anyhow, the reservoir must be refilled according to the instructions.

#### Preparation and functions:

The dead weight tester and the set of weights are supplied in separate cases.

- Loosen the transport screws before taking the instrument out of the box.
- Place the instrument at the work station and adjust it with the integrated circular level by screwing the adjustable feet in or out. The adjustable feet are equipped with orifices for mounting to the work station.
- Screw the handles into the spindle pump head.
- Connect the electric drive.

#### Electrical connection:



#### DANGER due to electric current!

Disregarding these safety instructions may result in serious or fatal injuries.

The dead weight tester is a device with protection class I (device with earth conductor) and has to be connected to a power socket with earth conductor.

- Always use a technically flawless mains cable with appropriate mains plug that is plugged into a socket with protective earthing.
- Only connect the dead weight tester to a properly installed and earthed 3-pin socket for mains plugs with protective contact.
- To ensure the connection to protective earth, all extension cables used must also have a protective conductor.
- Only use a mains cable that is approved for the voltage and plug configuration in your region.

#### Connection of the admission pressure:

The admission pressure is either connected via PA hose N 4x1 or via adapter for N 6x1 to the plug connection ⑦ (Prestolock).

To protect the dead weight tester from contamination, a maintenance unit consisting of pressure regulator and filter (pore size 10–20 µm with oil and water separator) is to be placed into the line of the admission pressure to the dead weight tester. With the pressure regulator, the pressure needs to be limited to max. 6 bar.

#### Refilling the oil reservoir ③:

The instrument is supplied filled.

If the oil level is no longer visible in the window of the oil column, oil must be refilled.

Please use only the oil included in the delivery or the re-ordered oil.



#### IMPORTANT!

Turn the change-over valve ⑮ to "Vent / Entlüften".

The system must be unpressurised.

- Remove the screw plug ⑳ from the oil reservoir.
- Fill in the oil up to the upper part of the window so that the oil level remains visible.
- Close the reservoir again with the screw plug ㉑.

# Operating Instructions

## Dead Weight Tester PD 6




### Please note:

After approximately 40 operating hours and in an unpressurised state, the overflow oil of the system should be drained via oil drain **18** and the overflow of the measuring cylinder should be drained via oil drain **23**.

### Measuring process:

#### Test process with connected admission pressure:

 All valves have to be closed.

- Change-over valve **9** has to be turned to "Pump on / Pumpe ein" permanently. (This setting has to be changed only in case of operation without external admission pressure, see hereinafter.)
- The test item is tightly screwed into the clamping sleeve **15** at the test connection **12**.



**IMPORTANT! Attention must be paid to thorough sealing!** Please use an appropriate wrench and the designated wrench flat. During screwing in, the pressure measuring devices should never be held at the case!

- Then, open stop valve "Test connection / Prüfanschluß" **11**.
- Turn the spindle of the pump roughly halfway between front and rear stop. Thus, pressure can be increased as well as decreased via star handle of the spindle.



**CAUTION!** The total travel of the spindle pump is approximately 11 revolutions. At the lower and the upper end a distinct stop is noticeable. Do not attempt to turn beyond those points forcibly! Otherwise, the spindle pump will be damaged!

- According to the required pressure, place weights upon the base plate **14** with due regard to the instructions (⇒ "Set of weights").



### IMPORTANT!

Carefully place the weights onto the dead weight tester. All weights need to be applied separately. Never try to place and remove several weights or the entire stack on and from the dead weight tester respectively.

- Turn the change-over valve **15** to "Admission pressure / Vordruck".
- Slowly open dosing valve "Admission pressure / Vordruck" **10**. Close it again as soon as the required pressure is reached.
- Switch on the electric drive via switch **19**.
- Readjust the pressure via star handle of the spindle until the piston is in measuring position (⇒ Figure 3a or 3b).



### IMPORTANT!

It is essential to ensure that the piston neither touches the upper nor the lower stop during the measurement.

Before applying the large weights, the motor needs to be switched off and the measuring system needs to be stopped and in an unpressurised state.

In general: The motor has to be switched off before relieving pressure.

### Pressure relief:

To reduce the pressure to 0 bar, the admission pressure must be relieved as well by turning the change-over valve **15** to "Vent / Entlüften" and opening dosing valve "Admission pressure / Vordruck" **10**.

When actuating the change-over valves **9** + **15**, please make sure that they notably snap into place at the lever position right above the tags!

### Test process without external admission pressure:

If there is no admission pressure available, the required pressure can be generated via spindle pump and change-over valve **9** as follows:

- Close dosing valve "Admission pressure / Vordruck" **10**.
- Turn change-over valve spindle pump **9** to "Pump off / Pumpe aus".
- Move the piston of the spindle pump **2** by turning the star handle counterclockwise to the stop.
- Turn the change-over valve **9** to "Pump on / Pumpe ein".
- Turn the piston of the spindle pump clockwise to the front stop.
- Turn the change-over valve **9** to "Pump off / Pumpe aus".
- Turn the piston of the pump back to the stop.
- Switch to "Pump on / Pumpe ein" **9**.
- Please repeat this process until the required pressure (up to 6 bar) is reached.

# Operating Instructions

## Dead Weight Tester PD 6



### Set of weights:



#### IMPORTANT!

Please handle the weights with care and avoid all kinds of damage!

The set of weights is supplied in a transport case.

The weights and the base plate  (basic load) are marked with the pressure (in bar and kPa) they generate on the dead weight tester, with the instrument identification number and the full scale value. The base plate  (basic load) without any weights generates a pressure of 0.05 bar.

We recommend to use the supplementary weights to facilitate the application of further weights.

The supplementary weights are the weights 0.45 bar and 2.45 bar as supplement to the basic load of 0.05 bar to generate 0.5 bar and 2.5 bar pressure respectively.

First, apply a supplementary weight (0.45 bar or 2.45 bar) and then further weights, according to the required pressure.

The set of weights comprises as follows:

1 weight	0.45 bar (supplementary weight)
1 weight	2.45 bar (supplementary weight)
1 weight	2.5 bar
4 weights	0.5 bar
1 weight	0.25 bar
4 weights	0.05 bar
1 weight	0.04 bar
1 weight	0.03 bar
1 weight	0.02 bar
1 weight	0.01 bar

The smallest graduation of the supplied set of weights is 0.01 bar.

Correction weights for smaller graduations and for corrections of ambient parameter deviations of the standard conditions are available upon request.



#### Please note!

In order to avoid fingermarks, the individual weights should only be touched with clean cotton gloves. Any impurities can be removed with suitable degreasers.

## 6. Maintenance / Cleaning, Storage and Transport



#### CAUTION! Material damage and loss of warranty!

Any modifications or interventions in the device, made by the customer, might damage important parts or components. Such intervention leads to the loss of any warranty and manufacturer's responsibility!

→ Never modify the device or perform any repairs yourself.

#### Fuse

The microfuse of the dead weight tester is located at the rear side and is integrated in the C14 inlet. If the motor does not run when mains voltage is applied, please check the fuses and replace them if necessary.



#### DANGER due to electric current!

Disregarding these safety instructions may result in serious or fatal injuries.

- Unplug the mains cable from the instrument.
- Carefully lift the fuse compartment from above with a flat screwdriver.
- Remove the compartment with the fuses.
- Check the fuses and replace the defective ones.



# Operating Instructions

## Dead Weight Tester PD 6

### **IMPORTANT:**

Only use fuses of the same type FST0,1B (microfuse Ø 5 x 20 mm, 0.1 A, 250 V, tripping characteristic slow). A spare fuse is located in the fuse compartment.

Reinsert the fuse compartment and connect the mains cable. If the fuses blow repeatedly, the device is probably defective.

In this case, return the instrument to the ARMANO Messtechnik GmbH for repair.

### **Maintenance:**

The instrument cannot be repaired by the operator. In case of faults, which cannot be eliminated without interference in the device, please return the instrument to the manufacturer for repair. Any arising repairs may only be executed by the manufacturer.

### **Cleaning:**

- Clean the dead weight tester with a dry or slightly dampened lint-free cloth.
- Do not use any sharp objects or aggressive agents for cleaning.

### **Storage and transport:**

- Use the original packaging or comparable packaging for transport.
- Avoid impacts or strong vibrations.
- Protect the device against moisture, dust, direct sunlight and other heat sources.

## 7. Dismounting and Disposal

### **Before dismounting:**

The test item must be unpressurised before dismounting! For this purpose, the valves should be open.

### **Disposal:**



### **NO DOMESTIC WASTE!**

The dead weight tester comprises various materials. It shall not be disposed of together with domestic waste.

→ Bring the dead weight tester to your local recycling plant

or

→ send the dead weight tester back to your supplier or to the ARMANO Messtechnik GmbH.

## 8. CE Conformity

**CE** The CE marking of the instruments certifies the conformity with prevailing EU directives for placing products on the market within the European Union. The following directive applies:

2014/35/EU (Low Voltage Directive)

The corresponding declaration of conformity is enclosed or available upon request.



# Operating Instructions

## Dead Weight Tester PD 6

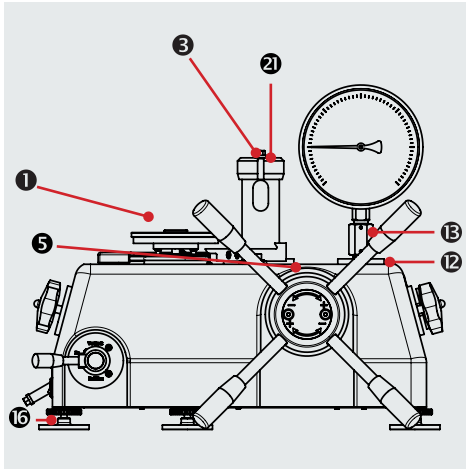


Fig. 1

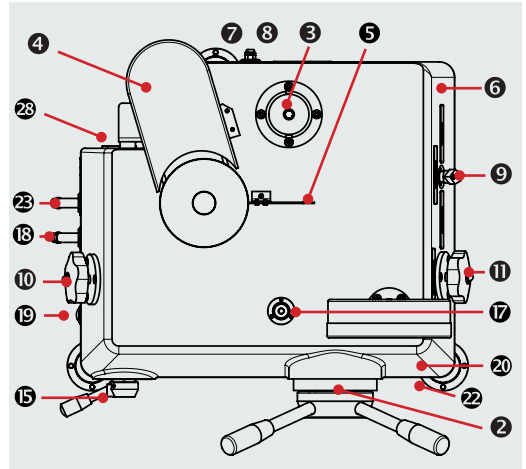


Fig. 2

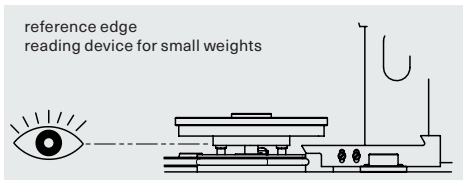


Fig. 3a: reading device

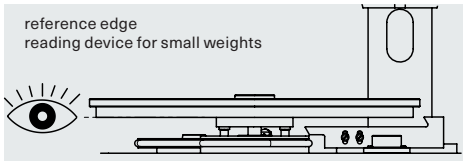


Fig. 3b: reading device

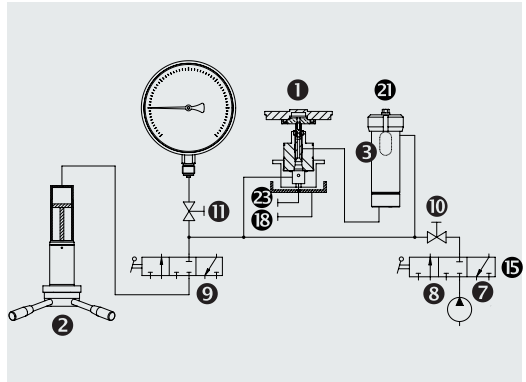


Fig. 4: schematic drawing

- |  |   |  |
|--|---|--|
| 1 Measuring system   | 10 Dosing valve "Admission pressure / Vordruck"   | 18 "Oil drain system / Ölablass System" (overflow of the system) |
| 2 Spindle pump with star handle  | 11 Stop valve "Test connection / Prüfanschluss"   | 19 Switch electric drive   |
| 3 Oil reservoir  | 12 Test connection  | 20 Calibration plate (for accredited calibration)                |
| 4 Electric drive   | 13 Clamping sleeve (AF 27)  | 21 Screw plug oil reservoir                                      |
| 5 Reading device (stationary pointer)  | 14 Base plate (basic load)  | 22 Nameplate   |
| 6 Case   | 15 Change-over valve for external admission pressure ("Admission pressure / Vordruck", "Closed / Zu", "Vent / Entlüften") | 23 "Oil drain measuring cylinder / Ölablass Messzylinder"        |
| 7 "Connection admission pressure / Anschluss Vordruck"   | 16 Adjustable feet  | 28 C14 inlet   |
| 8 "Ventilation admission pressure / Entlüftung Vordruck"   | 17 Circular level   |  |
| 9 Change-over valve spindle pump ("Pump on / Pumpe ein", "Pump off / Pumpe aus", "Vent / Entlüften") |   |  |

### Legend

## 9. Declaration of Conformity

### EU-Konformitätserklärung

### EU Declaration of Conformity

Für die nachfolgend bezeichneten Erzeugnisse

We hereby declare for the following named goods

#### KOLBEN-MANOMETER

Typ PD 6                   gemäß Datenblatt 10312  
Typ PD 10/PD 25       gemäß Datenblatt 10313  
Typ PD 60/PD 100      gemäß Datenblatt 10315  
Typ PD 600/PD 1000   gemäß Datenblatt 10316  
Typ PD 2500            gemäß Datenblatt 10317

#### DEAD WEIGHT TESTERS

Model PD 6               according to data sheet 10312  
Model PD 10/PD 25      according to data sheet 10313  
Model PD 60/PD 100     according to data sheet 10315  
Model PD 600/PD 1000  according to data sheet 10316  
Model PD 2500           according to data sheet 10317

wird hiermit bestätigt, dass sie den wesentlichen Schutzanforderungen entsprechen, die in der nachfolgend bezeichneten Richtlinie festgelegt sind:

that they meet the essential protective requirements, which have been fixed in the following directive:

RICHTLINIE 2014/35/EU DES EUROPÄISCHEN PARLAMENTS UND DES RATES vom 26. Februar 2014

DIRECTIVE 2014/35/EU OF THE EUROPEAN PARLIAMENT AND THE COUNCIL from February 26, 2014

zur Harmonisierung der Rechtsvorschriften der Mitgliedstaaten über die Bereitstellung elektrischer Betriebsmittel zur Verwendung innerhalb bestimmter Spannungsgrenzen auf dem Markt – kurz: **Niederspannungs-Richtlinie**

on the harmonisation of the laws of the Member States relating to the making available on the market of electrical equipment designed for use within certain voltage limits – short: **Low Voltage Directive**

Angewandte Norm: DIN EN 61010-1:2020-03

Applied standard: DIN EN 61010-1:2020-03

Diese Erklärung wird verantwortlich für den Hersteller:

*This declaration is issued under the sole responsibility of the manufacturer.*

**ARMANO Messtechnik GmbH**

abgegeben durch/ by  
Grünhain-Beierfeld, 2021-09-21



**Bernd Vetter**  
Geschäftsführender Gesellschafter / Managing Director

**ARMANO**

**ARMANO Messtechnik GmbH**

**Standort Beierfeld**

Am Gewerbehark 9  
08344 Grünhain-Beierfeld  
Tel.: +49 3774 58 – 0  
Fax: +49 3774 58 – 545  
mail@armano-beierfeld.com

**Standort Wesel**

Manometerstraße 5  
46487 Wesel-Ginderich  
Tel.: +49 2803 9130 – 0  
Fax: +49 2803 1035  
mail@armano-wesel.com

# Operating Instructions

## Dead Weight Tester PD 6

# Operating Instructions

## Dead Weight Tester PD 6



### **ARMANO Messtechnik GmbH**

#### **Location Beierfeld**

Am Gewerbepark 9  
08344 Grünhain-Beierfeld  
Tel.: +49 3774 58 – 0  
Fax: +49 3774 58 – 545  
mail@armano-beierfeld.com

#### **Location Wesel**

Manometerstraße 5  
46487 Wesel-Ginderich  
Tel.: +49 2803 9130 – 0  
Fax: +49 2803 1035  
mail@armano-wesel.com