

Accessories according to DIN 43 772

Neck tube, welding piece For thermowells

HR
S2

Versions

Model HR

Description

Neck tube according to DIN 43 772

Application

Distance extension between process connection and instrument head e.g. for the bridging of insulating material

Thermowells

SF4, SF4F, SF5, SF6, SF7

Thermometer Connection

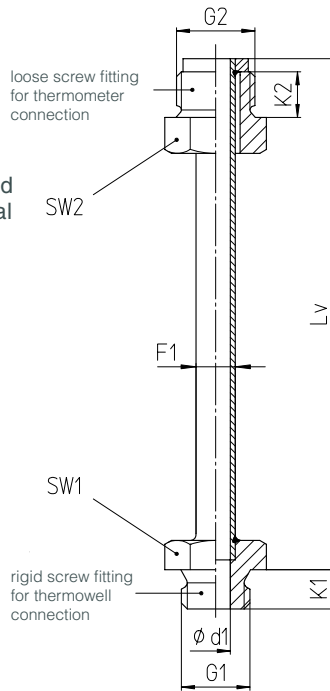
A3/B3 (M24x1.5)
stem Ø: 6 or 8 mm

Material

Stainless steel 316Ti (1.4571)

Options

- Other threads upon request
- Other length L_v upon request
- Other materials upon request
- Other tube dimensions upon request



Dimensional Data (mm/inch)

G1	SW1	Lv	K1	G2	SW2	K2	d1	F1
M18x1.5	24 0.94	155 6.1	12 0.47	M24x1.5	24 0.94	14 0.55	9 0.35	12 0.47
		165 6.5						
G 1/2 B	27 1.06	155 6.1	12 0.47	M24x1.5	24 0.94	14 0.55	9 0.35	12 0.47
		165 6.5						
G 3/4 B	32 1.26	155 6.1	12 0.47	M24x1.5	24 0.94	14 0.55	9 0.35	12 0.47
		165 6.5						

Ordering information: HR, G1 = G 1/2 B, Lv = 155, 1.4571

Model S2

Description

Welding piece

Application

Process connection for weld-in thermowells according to DIN 43 772

Thermowells

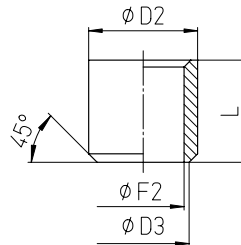
SF4, SF4.1

Material

Stainless steel 316Ti (1.4571)

Options

Other materials and lengths upon request



Dimensional Data (mm/inch)

F2	D2	D3	L
24 G 7	32 1.26	27 1.06	30 1.18
	35 1.38		
26 G 7	35 1.38	30 1.18	30 1.18
	40 1.57		
32 G 7	40 1.57	35 1.38	30 1.18
	45 1.77		

Ordering information: S2, F2=24, 1.4571