

# Capsule Gauge for Low Pressure

Stainless steel, snap-in window

KPChE 63

## Standard Versions

Information on general and metrological features (e.g. load limits/temperature resistance) and standard pressure ranges/scale divisions can be found in model overview 6000.

### Accuracy (DIN EN 837-3)

Class 1.6

### Case

Stainless steel 304 (1.4301), snap-in window

### Degree of Protection (DIN EN 60 529/IEC 529)

IP32

### Nominal Case Size

63 mm (2 1/2")

### Wetted Parts

Type – 1	connection	brass
	diaphragm capsule	CuBe alloy
	O-ring sealing	NBR
Type – 3	connection	stainless steel 316L (1.4404)
	diaphragm capsule	stainless steel 316L (1.4404)
	O-ring sealing	FPM

### Case Configuration

Connection	screwed
Position of the connection	- bottom connection - centre back connection (rm)
Mounting device	- without - back flange for surface mounting (Rh)

### Pressure Ranges (DIN EN 837-3)

0 – 25 mbar to 0 – 600 mbar  
(0 – 10 inH<sub>2</sub>O to 0 – 250 inH<sub>2</sub>O)

### Process Connection

G 1/4 B (1/4" BSP)

### Window

Polycarbonate, snapped into case

### Movement

Brass/German silver	for type – 1
Stainless steel	for type – 3

### Dial

Aluminum white, scale black

### Pointer

Aluminum black

### Zero Adjustment

On the front side, after removing the window



## Ordering Information, Standard Pressure Ranges, Options

See pages 3 and 4

## Further Options

- Position of connection radial at 3 o'clock, 9 o'clock, 12 o'clock or position of connection other than vertical installation (90°)
- GOST version for Russia and Kazakhstan

## Special Versions Upon Request

- Other process connections
- Other pressure ranges and/or special scales, e.g. dual scale mbar/kPa, coloured fields or ranges, dial inscriptions, negative scale
- Case parts 316L (1.4404)
- Wetted parts free of grease and oil for type – 3
- Oxygen version for type – 3
- Version for higher medium temperatures
- Other position of connection

## Accessories

See catalogue heading 11

[www.armano-messtechnik.com](http://www.armano-messtechnik.com)

**ARMANO**

ARMANO Messtechnik GmbH

**Location Beierfeld**  
Am Gewerbepark 9 • 08344 Grünhain-Beierfeld  
Tel.: +49 3774 58 – 0 • Fax: +49 3774 58 – 545  
mail@armano-beierfeld.com

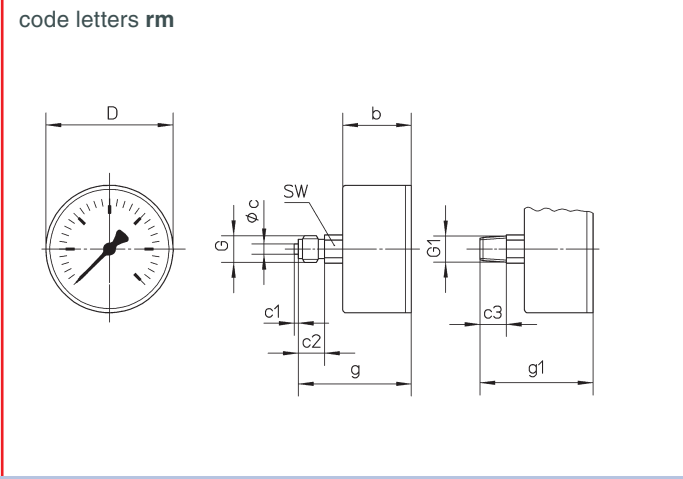
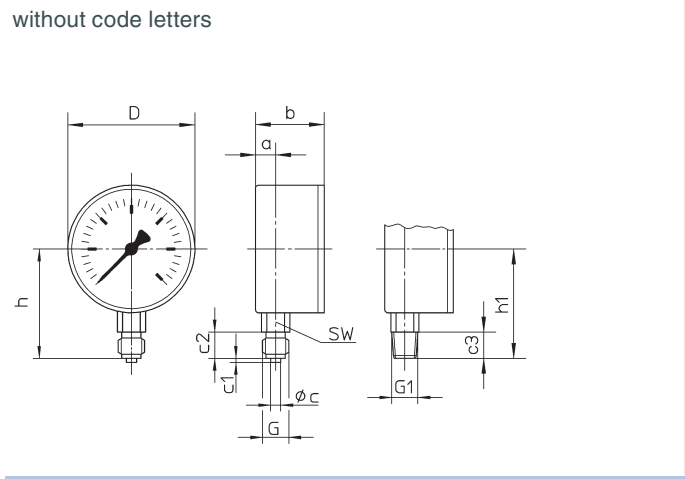
**Location Wesel**  
Manometerstraße 5 • 46487 Wesel-Ginderich  
Tel.: +49 2803 9130 – 0 • Fax: +49 2803 1035  
mail@armano-wesel.com

**6211.1**

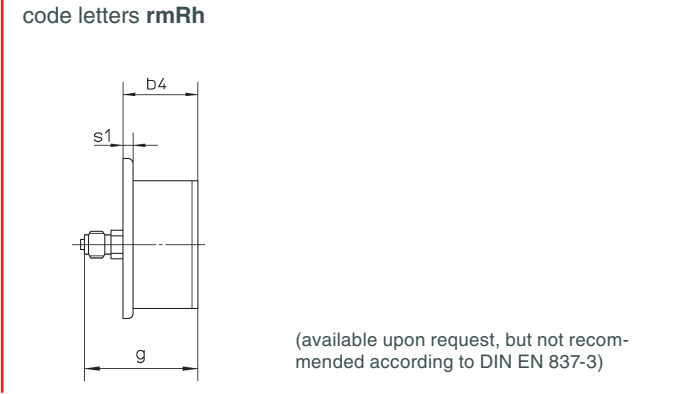
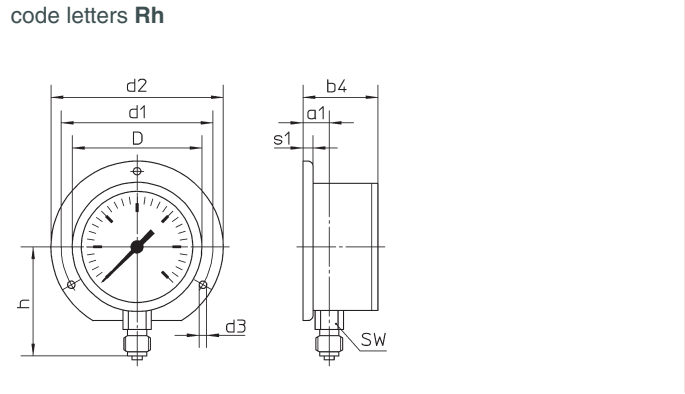
03/22

# Case Configurations, Code Letters, Dimensional Data and Weight

Bottom Connection	Centre Back Connection
without mounting device	



with back flange for surface mounting	
---------------------------------------	--



## Dimensional Data (mm/inch) and Weight (kg/lb)

NCS	a	a1	b	b4	c	c1	c2	c3	D	d1	d2	d3	G	G1
63 2½"	10 0.39	13 0.51	34 1.34	37 1.46	5 0.2	2 0.08	13 0.51	13 0.51	62 2.44	75 2.95	85 3.35	3.6 0.14	G¼B M12x1.5	¼" NPT
10-fold üs	10 0.39	13 0.51	43 1.69	46 1.81	5 0.2	2 0.08	13 0.51	13 0.51	62 2.44	75 2.95	85 3.35	3.6 0.14	G¼B M12x1.5	¼" NPT

g	g1	h±1	h1±1	s1	SW	approx. weight
57 2.24	57 2.24	54 2.13	54 2.13	5 0.2	14 0.55	0,18 0.4
66 2.6	66 2.6	54 2.13	54 2.13	5 0.2	14 0.55	0,21 0.46

## Ordering Information

Basic Model		Capsule Gauge for Low Pressure with Snap-in Window				KPChE	
Case filling	without				without code letters		
Nominal case size	case Ø 63 mm (2½")				63		
Wetted material	copper alloy				- 1		
	stainless steel				- 3		
Case configuration	case/connection	screwed			without code letters		
	position of the connection	bottom connection			without code letters		
		centre back connection			rm		
mounting device	without			without code letters			
	back flange for surface mounting			Rh			
Pressure ranges	mbar			inH <sub>2</sub> O			
	vacuum	compound	pressure	vacuum	compound	pressure	
	-25 / 0	-10 / +15 -15 / +10	0 - 25	-10 / 0	-4 / +6 -6 / +4	0 - 10	
	-40 / 0	-15 / +25 -25 / +15	0 - 40	-16 / 0	-6 / +10 -10 / +6	0 - 16	
	-60 / 0	-20 / +40 -40 / +20	0 - 60	-25 / 0	-10 / +15 -15 / +10	0 - 25	
	-100 / 0	-40 / +60 -60 / +40	0 - 100	-40 / 0	-15 / +25 -25 / +15	0 - 40	
	-160 / 0	-60 / +100 -100 / +60	0 - 160	-60 / 0	-20 / +40 -40 / +20	0 - 60	
	-250 / 0	-100 / +150 -150 / +100	0 - 250	-100 / 0	-40 / +60 -60 / +40	0 - 100	
	-400 / 0	-150 / +250 -250 / +150	0 - 400	-160 / 0	-60 / +100 -100 / +60	0 - 160	
	-600 / 0	-200 / +400 -400 / +200	0 - 600	-250 / 0	-100 / +150 -150 / +100	0 - 250	
	Process connection	standard thread	G ¼ B			G ¼ B	
		options	¼" NPT			¼" NPT	
M 12x1.5			M 12x1.5				
G ⅜ B			G ⅜ B				
⅛" NPT			⅛" NPT				
	M 10x1			M 10x1			
Options	see page 4						

Example

KPChE 63 - 1, 0 - 60 mbar, G ¼ B

