

As test pressure gauge with portable case

Application

Portable instruments for the pressure measurement of gaseous or liquid media that do not corrode copper alloys or (as option) stainless steel 316Ti (1.4571), and for monitoring pressure gauges by connecting them to pressure gauge valves with test connection M20x1.5, test flange 60x25 x 10 (2.36x0.98x0.39") or circular test flange.

Pressure ranges
up to 0 – 25 bar
from 0 – 40 bar

calibrated for gaseous media,
dial inscription "G"
calibrated for liquid media,
dial inscription "F"

Standard Versions

Information on general and metrological features (e.g. load limits / temperature resistance) and standard pressure ranges / scale divisions can be found in model overview 2000.

Accuracy (DIN EN 837-1)
Class 0.6

Case
With bayonet ring, stainless steel 304 (1.4301)

Degree of Protection (DIN EN 60529 / IEC 60529)
IP54

Nominal Case Size
160 mm (6")

Wetted Parts

Type – 1	connection	brass		
	Bourdon tube	≤ 40 bar (600 psi)	bronze, c-form	soft-soldered
		60 bar (800 psi)	CuBe, c-form	silver brazed
		≥ 100 bar (1500 psi)	stainless steel 316L (1.4404)	helical form
				silver brazed

Type – 3	connection	stainless steel 316L (1.4404)		
	Bourdon tube	stainless steel 316L (1.4404)		
		gas-shielded arc welding		
		≤ 40 bar (600 psi)	c-form	
		≥ 60 bar (800 psi)	helical form	

Case Configuration
Position of the connection lateral at 3 o'clock

Pressure Ranges (DIN EN 837-1)
0 – 0.6 to 0 – 600 bar (0 – 10 to 0 – 10000 psi)

Process Connection
Angle pressure gauge valve with 2 clamping sleeves
M20x1.5 female and accessory

Window
Instrument glass



Movement
Brass / German silver

Dial
Aluminum white, scale black

Pointer
Knife edge pointer, aluminum black

Ordering Information, Standard Pressure Ranges, Options

See page 3

Further Options

- Inspection certificate 3.1 acc. to EN 10204 for the accuracy
- Angle pressure gauge valve and accessory made of 316Ti (1.4571)

Special Versions Upon Request

- Special adjustment, e.g. up to 0 – 160 bar with air, dial inscription G
- Certificates and approvals, e.g. GOST (see also website)

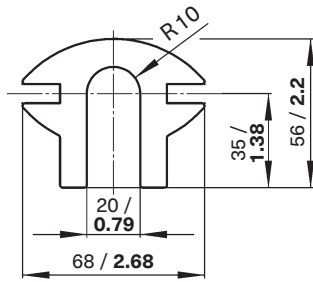
Scope of Delivery

- 1 portable case 400x380x100 (15.75x14.96x3.94") plastic black
- 1 fitting M20x1.5 / test flange 60x25 x 10 (2.36x0.98x0.39")
- 2 fixing screws M8
- 2 hexagon nuts M8
- 2 mounting spacers
- 2 flat gaskets Cu
- Bracket for circular test flange

Dimensional Data (mm / inch) and Weight, Accessories

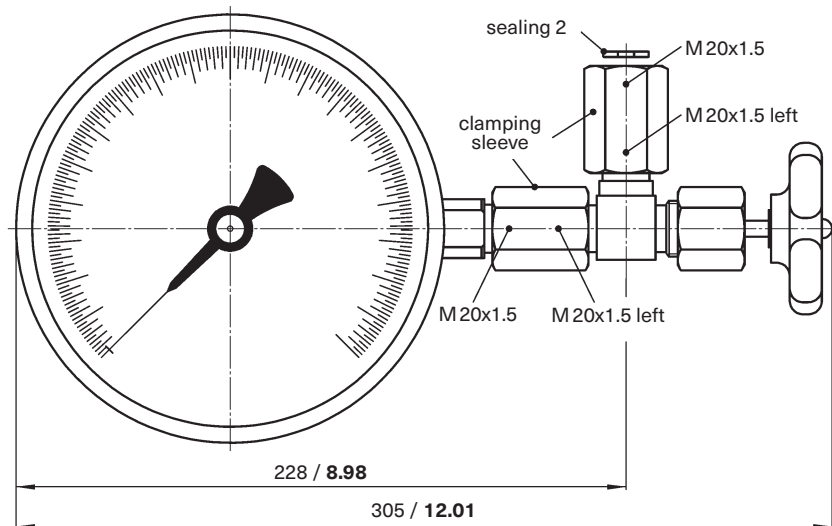
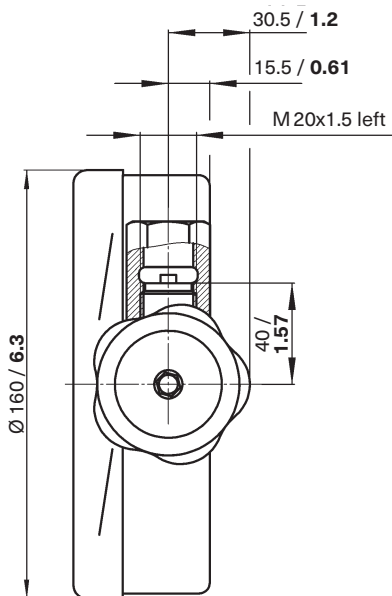
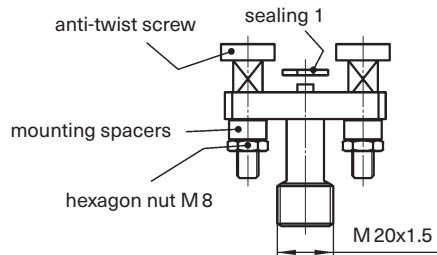
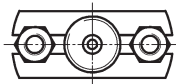
Bracket

in addition to the fitting
for the connection to a
circular test flange



Fitting

for the connection to the
test flange 60x25x10
(2.36x0.98x0.39")

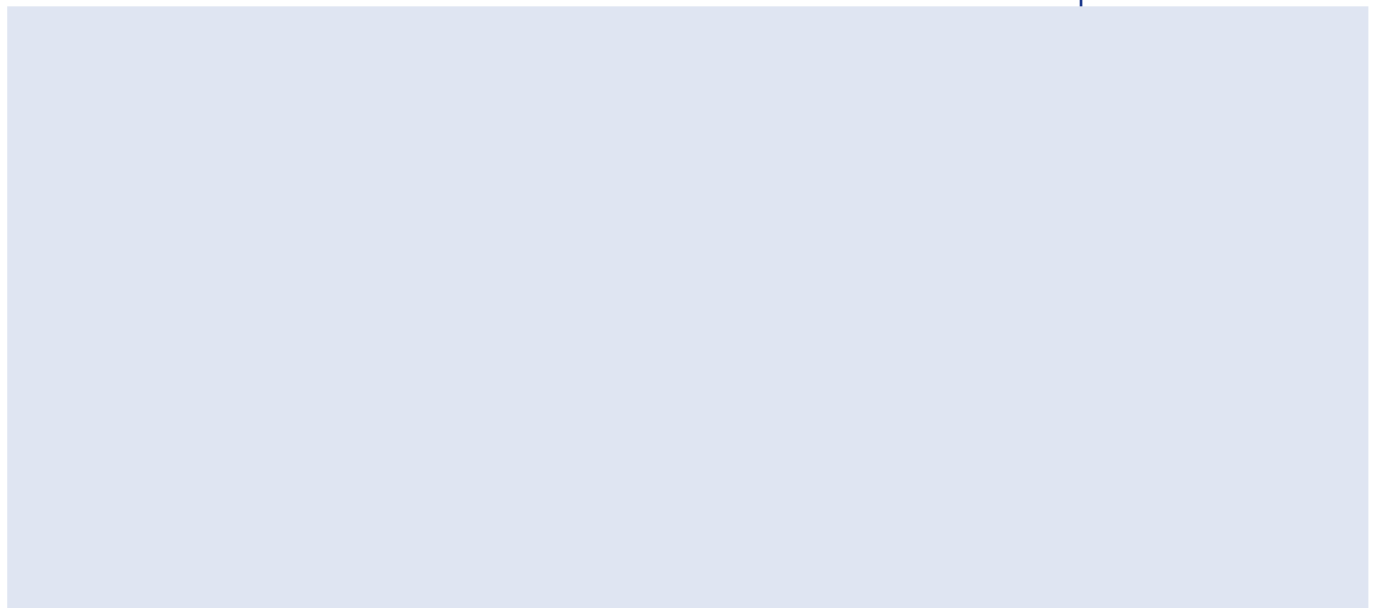


Weight

Approx. 1.6 kg (3.53 lb)	pressure gauge RFPCh 160
3.2 kg (7.05 lb)	accessory (with pressure gauge valve and clamping sleeves M20x1.5)
1.2 kg (2.65 lb)	portable case (empty)
6.0 kg (13.23 lb)	total

Ordering Information

Basic Model	Bourdon Tube Test Gauge with Bayonet Ring Case		RFPCh
Case filling	without		without code letters
Nominal case size	case Ø 160 mm (6")		160
Wetted material	copper alloy		- 1
	stainless steel		- 3
Case configuration	position of the connection	lateral at 3 o'clock	without code letters
Pressure ranges	-0.6 / 0 bar		
	-1 / 0 bar		
	-1 / +0.6 bar	-30" Hg - 15 psi	
	-1 / +1.5 bar	-30" Hg - 30 psi	
	-1 / +3 bar	-30" Hg - 60 psi	
	-1 / +5 bar	-30" Hg - 100 psi	
	-1 / +9 bar	-30" Hg - 160 psi	
	-1 / +15 bar	-30" Hg - 200 psi	
		-30" Hg - 300 psi	
	0 - 0.6 bar	0 - 10 psi	
	0 - 1 bar	0 - 15 psi	
	0 - 1.6 bar		
	0 - 2.5 bar	0 - 30 psi	
	0 - 4 bar	0 - 60 psi	
	0 - 6 bar	0 - 100 psi	e.g. 0 - 6 bar
	0 - 10 bar	0 - 160 psi	
	0 - 16 bar	0 - 200 psi	
		0 - 300 psi	
	0 - 25 bar	0 - 400 psi	
	0 - 40 bar	0 - 600 psi	
	0 - 60 bar	0 - 800 psi	
		0 - 1000 psi	
	0 - 100 bar	0 - 1500 psi	
	0 - 160 bar	0 - 2000 psi	
		0 - 3000 psi	
	0 - 250 bar	0 - 4000 psi	
	0 - 5000 psi		
0 - 400 bar	0 - 6000 psi		
0 - 600 bar	0 - 10000 psi		
Process connection	angle pressure gauge valve with 2 clamping sleeves M 20x1.5 female		without code letters



Example **RFPCh 160 - 3, 0 - 6 bar**

Special Versions: Please describe your requirements in cleartext!