

Bourdon Tube Pressure Gauge

RQS

Square case
Narrow rim

Application

Pressure measurement of liquid and gaseous media (within the resistance limits of the wetted parts; media that are neither highly viscous nor crystallising), for the installation into switch panels and control panels.

Standard Versions

Information on general and metrological features (e.g. load limits/temperature resistance) and standard pressure ranges/scale divisions can be found in model overview 1000.

Accuracy (DIN EN 837-1)
Class 1.0

Case
Square case with front narrow rim,
bracket for panel mounting

Degree of Protection (DIN EN 60529 / IEC 60529)
IP43

Nominal Case Size
96 (96 x 96 mm) (3.78 x 3.78")
144 (144 x 144 mm) (5.67 x 5.67")

Wetted Parts

Type – 3	connection	stainless steel 316L (1.4404)
	Bourdon tube	stainless steel 316L (1.4404) gas-shielded arc welding ≤ 40 bar (600 psi) c-form ≥ 60 bar (800 psi) helical form
Type – 1	connection	brass
	Bourdon tube	≤ 40 bar (600 psi) bronze, c-form soft-soldered ≥ 60 bar (800 psi) stainless steel 316L (1.4404) helical form silver brazed

Case Configuration

Connection	screwed
Position of the connection	lower back connection (r)

Pressure Range (DIN EN 837-1)
0 – 0.6 bar to 0 – 1 000 bar (0 – 10 psi to 0 – 15 000 psi)
also vacuum and compound ranges

Process Connection
G ½ B

Window
Instrument glass

Movement
Brass / German silver

Dial
Aluminum white, scale black

Pointer
Aluminum black



Ordering Information, Standard Pressure Ranges, Options

See page 3

Further Options

- Pressure range 0.2 – 1 bar or 3 – 15 psi
- Other position of connection or installation, e.g. inclined backwards by 45°

Special Versions Upon Request

- Other connection threads
- Other pressure ranges and/or special scales, e.g. dual scale bar / psi, coloured fields or ranges, dial inscriptions, negative scale
- Higher pressure ranges
- Certificates and approvals, e.g. GOST (see also website)

Accessories

Electrical see catalogue heading 9.1
see data sheet 1500.90

www.armano-messtechnik.com

ARMANO

ARMANO Messtechnik GmbH

Location Beierfeld
Am Gewerbepark 9 • 08344 Grünhain-Beierfeld
Tel.: +49 3774 58 – 0 • Fax: +49 3774 58 – 545
mail@armano-beierfeld.com

Location Wesel
Manometerstraße 5 • 46487 Wesel-Ginderich
Tel.: +49 2803 9130 – 0 • Fax: +49 2803 1035
mail@armano-wesel.com

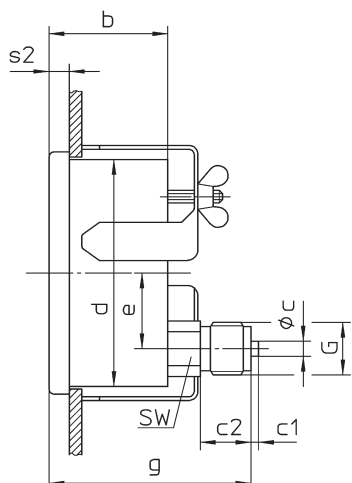
1500

07/22

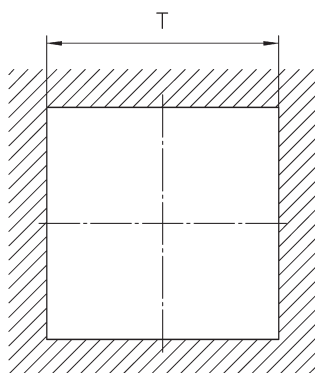
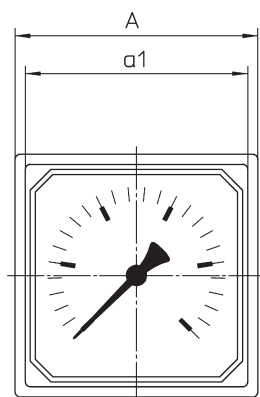
Case Configurations, Dimensional Data and Weight

Lower Back Connection

without mounting device



with u-clamp for switch panel mounting



recommended panel cut out

Dimensional Data (mm / inch) and Weight (kg / lb)

A (NCS)	a1	b	c	c1	c2	d	e	G	g	s2 ⁺¹	SW	T	approx. weight
96 3.78	88 3.46	48 1.89	6 0.24	3 0.12	20 0.79	90 3.54	30 1.18	G½B	81 3.19	8 0.31	22 0.87	92 3.62	0.75 1.65
144 5.67	134 5.28	46 1.81			136 5.35	52 2.05	138 5.43					1.30 2.87	

