

Bourdon Tube Pressure Gauge

Bayonet ring case stainless steel

With indirect limit switch contact assembly (type R)

RCh 63

This data sheet contains information on the maximum possible number of contacts, on electrical connections, options and ordering information concerning the Bourdon tube pressure gauge models RCh 63 with limit switch contact assemblies with 1 or 2 reed switches, as well as dimensional drawings with the position of the electrical connections.

Data sheet 1211 contains all details concerning the available versions of model RCh without limit switches. These details as well as the required ordering information apply also to the version with limit switches, unless otherwise stated below. A version with case filling is not available.

Model overview 9.1000 contains general and detailed definitions, applications and operating principles for the respective limit switch types. It also provides detailed information on the selection, switching functions and minimum spans, on operating conditions, explosion protection, options and others.

Standard Versions

Available Limit Switch Contact Assembly

Indirect (contact-free)

Reed contact R

Minimum Span

0 – 2.5 bar

Maximum Possible Number of Contacts

Up to 2 x R

Degree of Protection (DIN EN 60529 / IEC 60529)

IP54

Blow-out Device

Blow-out plug at the top of the case coverage

Nominal Case Size

63 mm (2½")

Window

Laminated safety glass	for type – 3
Instrument glass	for type – 1
Polycarbonate	for case configurations Fr and rFr

Safety Category According to DIN EN 837-1

S1 pressure gauges with blow-out device

S2 safety pressure gauge,

proved: RCh 63 – 3 up to 1000 bar (15000 psi)

optional: type – 1 with laminated safety glass or polycarbonate

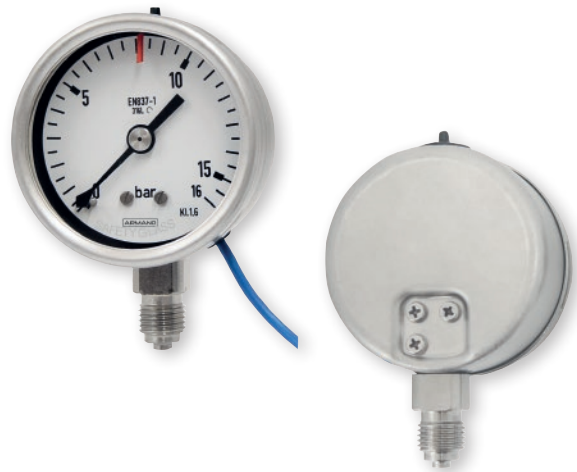
Adjusting Mechanism Limit Setting Pointer

Accessible manually after removing the bayonet ring
Case configurations Fr and rFr are equipped with an adjusting lock in the window. With the removable key, the limit setting pointer can be externally set to the value of the desired switch point.

Electrical Connection

On the lower right side of the case
1 m connection cable, blue
2-core (1 reed switch) or 4-core (2 reed switches),
with rubber bushing and strain relief

For the position of the electrical connection, please refer to the dimensional drawings on page 2.



Options

- Adjusting lock similar to case configurations Fr and rFr
- Adjusting lock with non-removable key
- Connection cable longer than 1 m (3.28')
- Degree of protection IP65

Special Versions Upon Request

- Other position of the electrical connection

Ordering Information

When installing limit switches, the order text of the basic device (see data sheet 1211) is supplemented by

Code letter	R	reed contact
Code number for the switching function	1	making contact in case of clockwise pointer motion
	2	breaking contact in case of clockwise pointer motion
	4	making contact in case of counterclockwise pointer motion
	5	breaking contact in case of counterclockwise pointer motion

For 2 x R, these switching functions can be used in any combination, the minimum distance between the switching points is 25 % of the measuring span

Example RCh 63 – 3, 0 – 10 bar, G¼ B, R1

Please Note

For an optimal function of the devices with limit switch, please specify in your order text:

- correct specification of the switching function
- switching pressures
- switching ranges, which are beyond the adjustment ranges defined by us

ARMANO

ARMANO Messtechnik GmbH

Location Beierfeld
Am Gewerbepark 9 • 08344 Grünhain-Beierfeld
Tel.: +49 3774 58 – 0 • Fax: +49 3774 58 – 545
mail@armano-beierfeld.com

Location Wesel
Manometerstraße 5 • 46487 Wesel-Ginderich
Tel.: +49 2803 9130 – 0 • Fax: +49 2803 1035
mail@armano-wesel.com

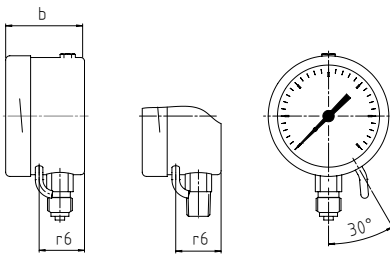
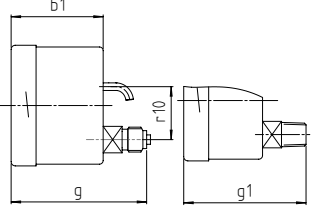
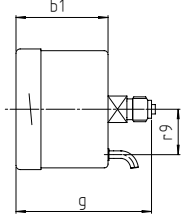
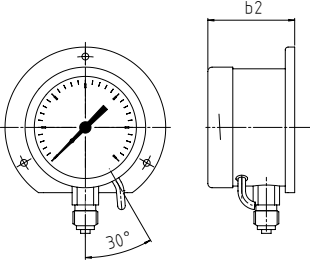
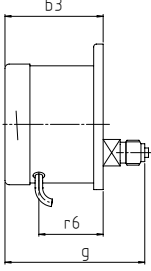
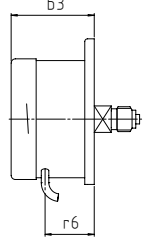
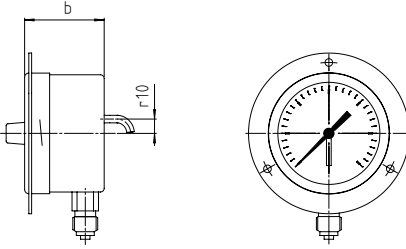
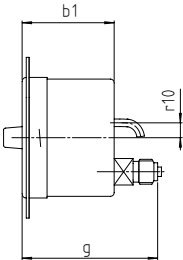
www.armano-messtechnik.com

1211.94

12/22

Case Configurations, Code Letters, Dimensional Data and Weight

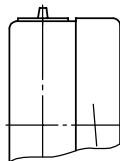
Compared to the basic models, there are deviations in the front-to-back sizes, see table.
Please refer to data sheet 1211 for the other dimensional data.

Bottom Connection	Lower Back Connection	Centre Back Connection
without mounting device		
without code letters 	code letter r 	code letters rm 
with back flange for surface mounting		
code letters Rh 	code letters rRh 	code letters rmRh 
with front flange for panel mounting		
code letters Fr 	code letters rFr 	

Dimensional Data (mm / inch) and Weight (kg / lb)										
NCS	b	b1	b2	b3	g ^{±1}	g1 ^{±1}	r6	r9	r10	approx. weight ¹⁾
63 2½"	42 1.65	46 1.81	45 1.77	49 1.93	68 2.68	68 2.68	23 0.91	24 0.94	10 0.39	0.25 0.55

Blow-out Device

blow-out plug 19



¹⁾ data for version without mounting device