

Bourdon Tube Pressure Gauges

Steel case, with snap-in window

RE 40 – 1

RE 50 – 1

Application

Bourdon tube pressure gauge models RE are suitable for the measurement of positive and negative overpressure of liquid or gaseous media that do not corrode brass/copper alloys.

Standard Versions

Information on general and metrological features (e.g. load limits/temperature resistance) and standard pressure ranges/scale divisions can be found in model overview 1000.

Accuracy (DIN EN 837-1)

Class 1.6

Class 2.5 for pressure range -1 / 0 bar, 0 – 1 bar, 0 – 600 bar

Case

Sheet steel black

Nominal Case Size

40, 50 mm (1½, 2")

Wetted Parts

Connection: brass
Bourdon tube: bronze, soft-soldered
≤ 60 bar c-form
≥ 100 bar helical form

Case Configuration

Connection: screwed
Position of the connection:
- bottom connection
- centre back connection (rm)

Pressure Ranges (DIN EN 837-1)

NCS 40 0 – 1 bar to 0 – 400 bar

NCS 50 0 – 1 bar to 0 – 600 bar

also vacuum and compound measuring ranges

Process Connection

NCS 40 G 1/8 B (1/8" BSP)

NCS 50 G 1/4 B (1/4" BSP)

Window

Polycarbonate, snap-in

Movement

Brass

Dial

Aluminum white, scale black

Pointer

Aluminum black



Ordering Information

See page 3

Special Versions and Further Options

For larger quantities upon request

Accessories

See catalogue heading 11

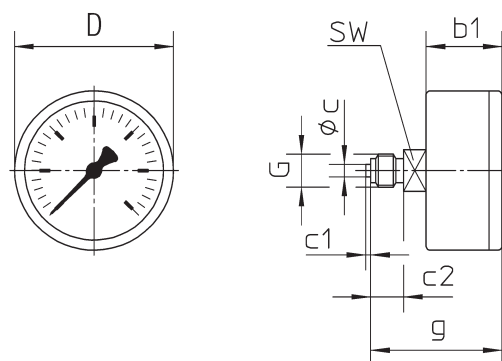
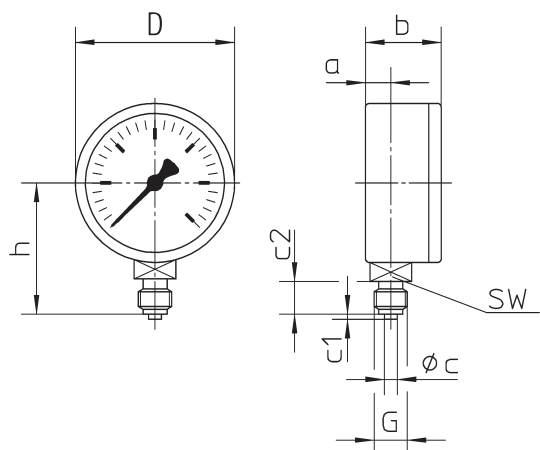
Case Configurations, Code Letters, Dimensional Data and Weight

Bottom Connection	Centre Back Connection
-------------------	------------------------

without mounting device

(without code letters)

code letters: **rm**



Dimensional Data (mm/inch) and Weight (kg/lb)

NCS	a ^{±0.5}	b ^{±1}	b1 ^{±0.5}	c	c1	c2	D	g ^{±0.5}	G	h ^{±1}	SW	approx. weight
40 1 1/2"	9.5 0.37	27 1.06		—	—	10 0.39	40 1.57	46 1.81	G 1/8" B ¹⁾ 1/8" BSP	36 1.42	14	0.13
50 2"	11.5 0.45	30 1.18		5 0.2	2 0.08	13 0.51	49 1.93	50 1.97	G 1/4" B 1/4" BSP	45 1.77	0.55	0.29

¹⁾ without centre bolt

Ordering Information

Basic Model: Bourdon Tube Pressure Gauge		RE	
Case filling:	without	without code letters	
Nominal case size:	case Ø 40, 50 mm (1 ½, 2")	40, 50	
Wetted material:	copper alloy	- 1	
Case configuration:	case/connection	screwed	without code letters
	position of the connection	bottom connection	without code letters
		centre back connection	rm
mounting device	without	without code letters	
Pressure ranges:	-1 / 0 bar		
	-1 / +0.6 bar		
	-1 / +1.5 bar		
	-1 / +3 bar		
	-1 / +5 bar		
	-1 / +9 bar		
	-1 / +15 bar		
	0 - 1 bar		
	0 - 1.6 bar		
	0 - 2.5 bar		
	0 - 4 bar		
	0 - 6 bar	e.g. 0 - 6 bar	
	0 - 10 bar		
	0 - 16 bar		
	0 - 25 bar		
	0 - 40 bar		
	0 - 60 bar		
	0 - 100 bar		
	0 - 160 bar		
	0 - 250 bar		
0 - 400 bar			
0 - 600 bar	for NCS 50		
Process connection:	standard thread	G ¼ B (NCS 50)	G ¼ B
		G ½ B (NCS 40)	G ½ B
Example:			RE 50 - 1 rm, 0 - 6 bar, G ¼ B