

Bourdon Tube Pressure Gauge

Crimped-on ring case stainless steel, glycerin filling

RgG

63 – 1

Application

Bourdon tube pressure gauge models RgG are suitable for the measurement of positive and negative overpressure of liquid or gaseous media, which are not highly viscous and do not tend to crystallize.

Standard Versions

Information on general and metrological features (e.g. load limits/temperature resistance) and standard pressure ranges/scale divisions can be found in model overview 1000.

Accuracy (DIN EN 837-1)
Class 1.6

Case
With polished crimped-on ring, stainless steel 304 (1.4301)

Degree of Protection (DIN EN 60 529/IEC 529)
IP65

Case Filling
Glycerin

Nominal Case Size
63 mm (2½")

Wetted Parts
Connection: brass
Bourdon tube: bronze
≤40 bar c-form, soft-soldered
≥60 bar helical form silver brazed

Case Configuration
Connection: screwed
Position of the connection:
- bottom connection
- centre back connection (rm)
Mounting device:
- without
- for centre back connection:
- front flange for panel mounting (rmFr)
- u-clamp for panel mounting (rmBFr)

Pressure Ranges (DIN EN 837-1)
0 – 1 bar to 0 – 600 bar
also vacuum and compound measuring ranges

Process Connection
G ¼B (¼" BSP)

Window
Polycarbonate



Movement
Brass/German silver

Dial
Aluminum white, scale black

Pointer
Aluminum black

Ordering Information

See page 3

Special Versions and Further Options

Other process connections upon request

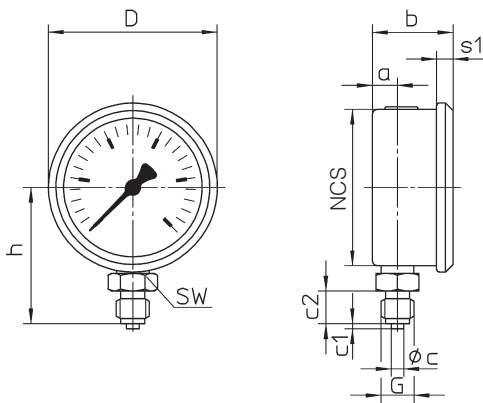
Accessories

See catalogue heading 11

Case Configurations, Code Letters, Dimensional Data and Weight

Bottom Connection

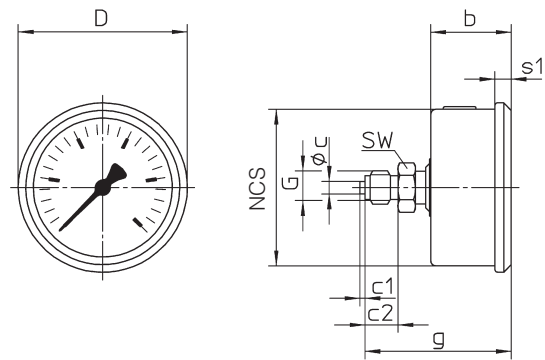
(without code letters)



Centre Back Connection

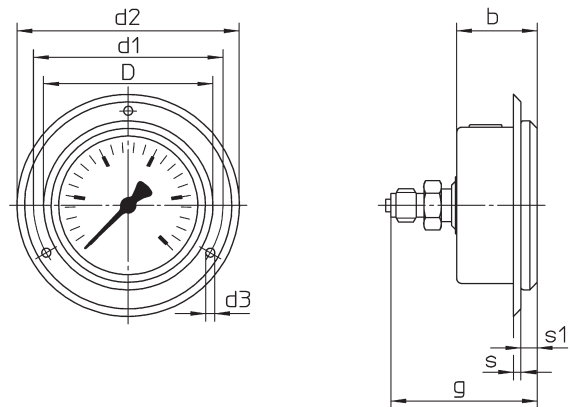
without mounting device

code letters: **rm**



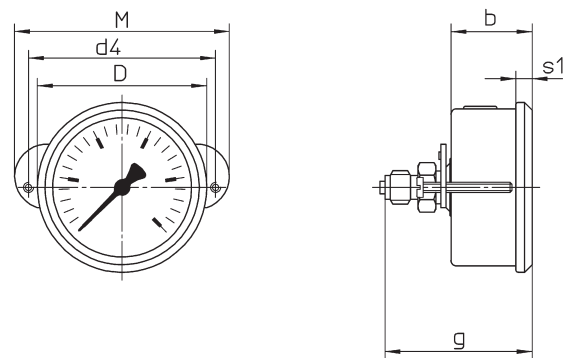
with front flange for panel mounting

code letters: **rmFr**



with u-clamp for panel mounting

code letters: **rmBFr**



Dimensional Data (mm/inch) and Weight (kg/lb)

NCS	a	b	c	c1	c2	d1	d2	d3	d4	D	G	g	h ^{±1}	M	s	s1	SW	approx. weight
63	10	32	5	2	13	75	88	3.6	74	67	G 1/4 B	58	54	85	3	6.5	17	0.25
2 1/2"	0.39	1.26	0.2	0.08	0.51	2.95	3.46	0.14	2.91	2.64	1/4" BSP	2.28	2.13	3.35	0.12	0.26	0.67	0.55

