

# Bourdon Tube Pressure Gauge

Steel case, with snap-in window

RE

63 – 1

## Application

Bourdon tube pressure gauge models RE are suitable for the measurement of positive and negative overpressure of liquid or gaseous media that do not corrode brass/copper alloys.

## Standard Versions

Information on general and metrological features (e.g. load limits/temperature resistance) and standard pressure ranges/scale divisions can be found in model overview 1000.

### Accuracy (DIN EN 837-1)

Class 1.6

Class 2.5 for pressure range  $-0.6 / 0$  bar,  $0 - 0.6$  bar,  $0 - 600$  bar

### Case

Sheet steel black

### Nominal Case Size

63 mm (2 1/2")

### Wetted Parts

Connection: brass  
Bourdon tube: bronze, soft-soldered  
 $\leq 40$  bar c-form  
 $\geq 60$  bar helical form

### Case Configuration

Connection: screwed  
Position of the connection:  
- bottom connection  
- centre back connection (rm)  
- without  
Mounting device:  
- for centre back connection:  
- front flange for panel mounting (rmFr)

### Pressure Ranges (DIN EN 837-1)

$0 - 0.6$  bar to  $0 - 600$  bar

also vacuum and compound measuring ranges

### Process Connection

G 1/4 B (1/4" BSP)

### Window

Polycarbonate, snap-in

### Movement

Brass

### Dial

Aluminum white, scale black

### Pointer

Aluminum black



## Ordering Information

See page 3

## Special Versions and Further Options

For larger quantities upon request

## Accessories

See catalogue heading 11

# Case Configurations, Code Letters, Dimensional Data and Weight

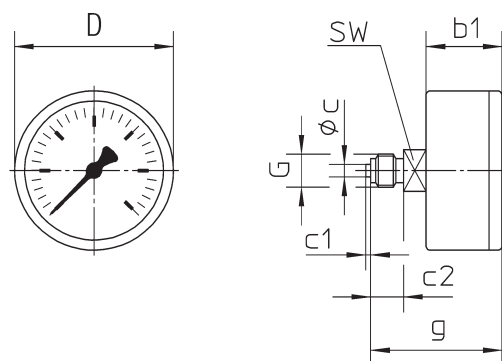
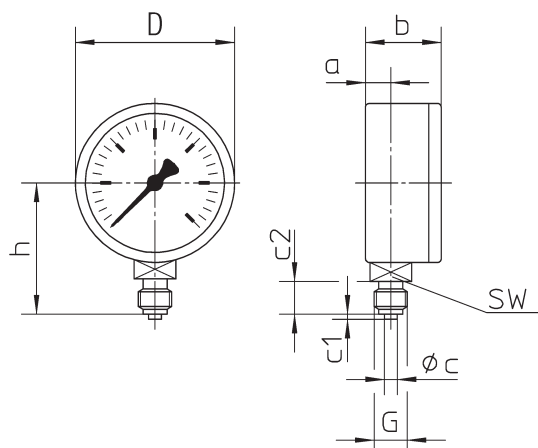
## Bottom Connection

## Centre Back Connection

without mounting device

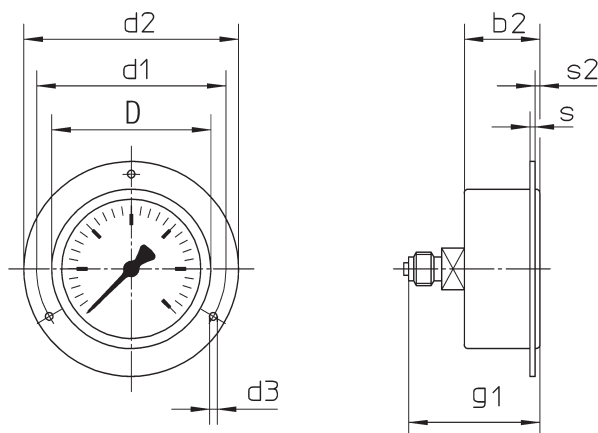
(without code letters)

code letters: **rm**



## with front flange for panel mounting

code letters: **rmFr**



### Dimensional Data (mm/inch) and Weight (kg/lb)

NCS	a $\pm 0.5$	b $\pm 0.5$	b1 $\pm 0.5$	b2 $\pm 0.5$	c	c1	c2	D	d1	d2	d3	g $\pm 0.5$	g1	G	h $\pm 1$	s	s2	SW	approx. weight
63	10.5	30	31	32	5	2	13	62	75	85	3.6	52	53	G 1/4 B	52.5	2	1.5	14	0.13
2 1/2"	0.41	1.18	1.22	1.26	0.2	0.08	0.51	2.44	2.95	3.35	0.14	2.05	2.09	1/4" BSP	2.07	0.08	0.06	0.55	0.29

